

# SRK8 / SRK12 / SRK16 / SRK21

## UNIVERSAL EQUIPMENT RACKS



## INSTALLATION GUIDE

***SAMSON***<sup>®</sup>

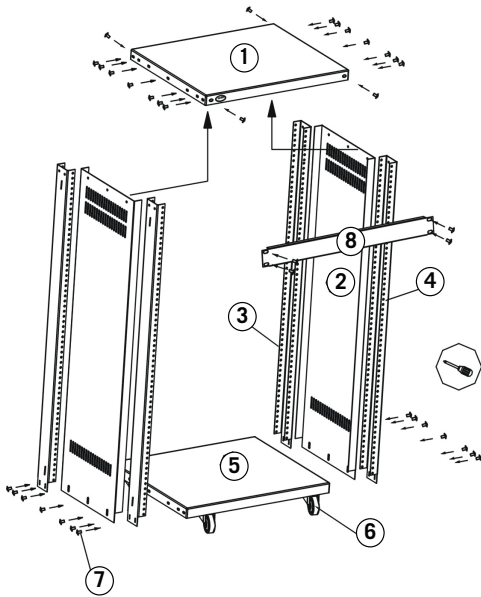
# Introduction and Features

Congratulations on your purchase of the SRK series equipment rack from Samson Audio. Samson SRK racks are made of solid steel construction and feature fully enclosed steel side panels. They are available in four sizes; 8-space, 12-space, 16-space and 21-space. The SRK racks are set upon 4 heavy-duty, 3-inch (75 mm) casters with locking fronts. Each rack includes a free one-space, blank panel beautifully appointed with the Samson Logo and enough racks screws to get you going. The truly innovated thing is that the unique steel pillar support bar construction, allow the racks to be assembled to accept either the European or US thread size. Whether you are building an equipment rack in a fixed installation or in a commercial or home studio, the SRK racks will provide solid support for your valuable gear.

## SRK Equipment Rack Features

- 19-inch Equipment Rack
- 8, 12, 16 & 21 rack spaces
- Heavy duty steel construction with fully enclosed sides
- Front and rear rack rails
- 3-inch (75mm) locking casters
- Can be assembled to accept either U.S. or European thread sizes
- Black Textured painted finish
- A single rack space blank panel included
- U.S. and European rack screws included

# SRK SERIES ASSEMBLY INSTRUCTIONS



<b>1. TOP PLATE</b>	<b>(1PCS)</b>
<b>2. SIDE PLATE</b>	<b>(2PCS)</b>
<b>3. FRONT PILLAR</b>	<b>(2PCS)</b>
<b>4. BACK PILLAR</b>	<b>(2PCS)</b>
<b>5. BASE PLATE</b>	<b>(1PCS)</b>
<b>6. WHEEL</b>	<b>(4PCS)</b>
<b>7. CROSS-SCREW</b>	<b>(36PCS)</b>
<b>8. BACK PLATE</b>	<b>(1PCS)</b>

1. Determine if you are setting up the rack for U.S. or European threads. Each of the pillars has the U.S. thread on one side and the European thread on the other. The U.S. threads are indicated by the knockout hole. To configure the rack for US threads be sure that all the knockout holes are facing outward. If you want to configure the rack for European threads be sure that all the knockout holes are facing inward.
2. With the Base Plate (#5) flat on the ground, using the small black screws, screw (3 screws) on one of the Side Plates (#2) in so that the inner ridge is sitting flat on the base plate.
3. On either side of the Side Plate (#2), screw (2 screws per pillar) into the 2 pillars (#3 & #4) with the inner ridge sitting flat on the base plate, for U.S. thread the side with the knockout should be facing out.
4. On the SRK16 and SRK21 the 2 pillars will be screwed into the side plate.
5. Repeat for the other side of the rack.
6. Place the Top Plate (#1) over the sides of the rack, so that the 4 Pillars and Side Plate fit inside the Top Plate and fasten the 18 screws.
7. Screw the Samson Back Plate (#8) in with either the U.S. 10/32 silver screws, or the Euro M6 black chrome screws.

Follow us:



**@samson**



**@samsontech**



**@samson\_technologies**

---

Samson Technologies  
278-B Duffy Ave  
Hicksville, NY 11801  
Phone: 1-800-3-SAMSON  
[www.samsontech.com](http://www.samsontech.com)