

ComPack™

Universal Telephone Audio Interface

Remotely Anywhere.

Pick up this new handheld road tool to get audio in and out of analog phone lines, PBX systems, even cell phones. Perfect for Remote Broadcasts, IFB feeds, or interviews over any phone connection.

Wireless Phones and Notebooks. Simply plug ComPack into the 3.5mm headset jack of your wireless phone or notebook computer. Your cell phone will recognize ComPack as a headset which will disable the internal mic and speaker.

PBX Systems. Unplug the handset from any analog or digital PBX phone and plug the coily cord into ComPack. You can now send and receive audio through the PBX telephone set.

Analog Phones. Plug ComPack into an RJ-11 jack, go off-hook and dial, or answer an incoming call.

Add a Phone Line to the Party Line. ComPack also functions as a simple telecom interface for your belt-pack intercom system. This no-frills feature allows you to connect the 3 pin male XLR to your wet party line. This provides a full duplex, always-on connection to any telephone network.



FEATURES

» HD Voice (Wide-Band Speech) Compatible

» Works with Analog and Digital PBX or VoIP Phones

» Wireless Phone Headset Interface

» Headphone, Mic, and Line Input Level Controls

» XLR Mic Input *(Mic/Line Switch)

» XLR Line Output
*(Switches to Com Link)

» 3.5mm Stereo Line Input

» 1/4" Stereo Headphone Jack

» Transmit Clip LED

» Battery Test LED

» DTMF Keypad and Lockout Switch

» Handset Selector Switch
(Electret, Carbon, Dynamic)

» >20 Hours on one 9V Alkaline Battery

ComPack™

Universal Telephone Audio Interface

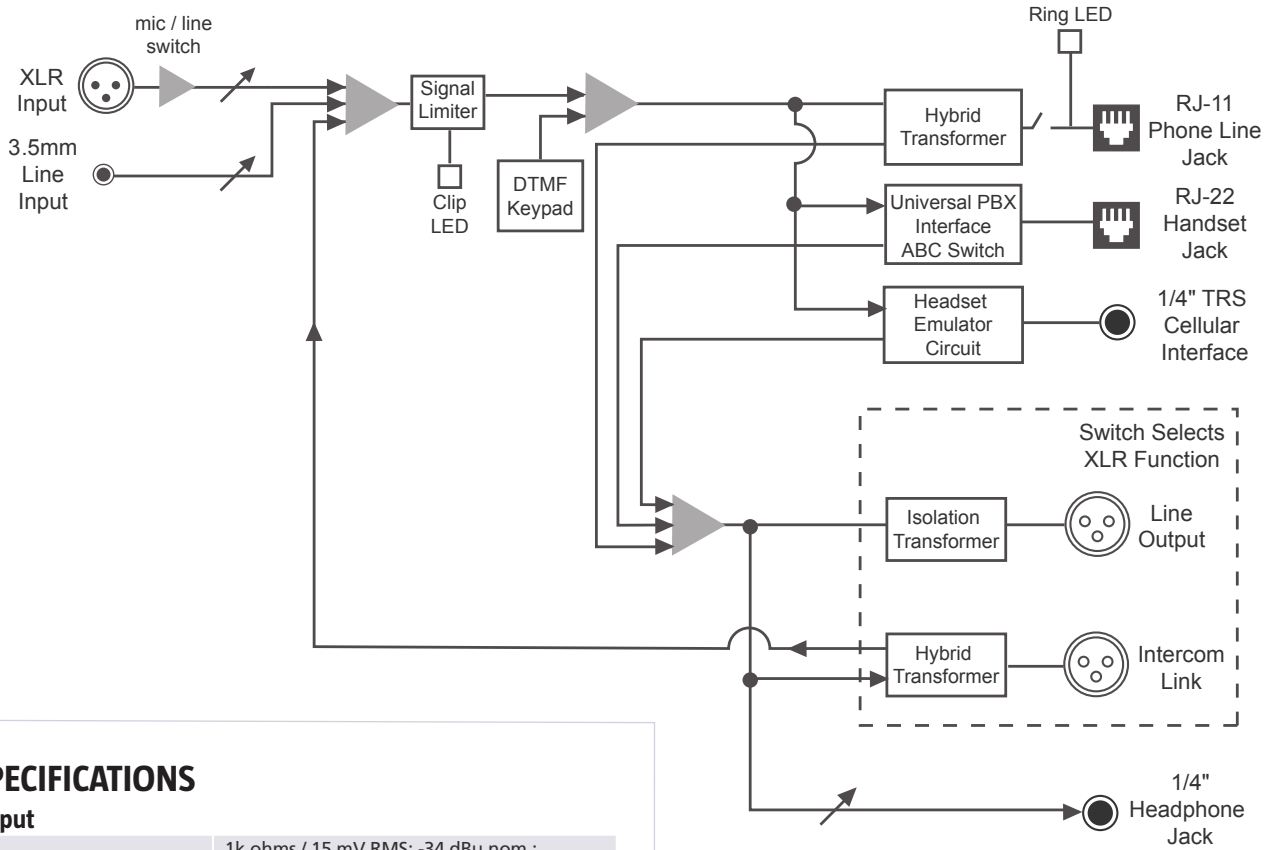


LEFT SIDE



RIGHT SIDE

BLOCK DIAGRAM



SPECIFICATIONS

Input

Female XLR:	1k ohms / 15 mV RMS; -34 dBu nom.; Mic/Line Pad Switch = +6 dBu max
1/8" (3.5mm) Stereo:	20 k ohms / 250 mV RMS; -10 dBu nom.

Output

Male XLR:	600 ohms / 45 mV RMS; -25 dBu nom.
1/4" Stereo Headphone:	8 ohms, 1/2 watt
Phone Line:	RJ11C
Ringer:	0.9B REN
Isolation:	1500 VAC

Keypad:	DTMF
Power:	9 volt battery AC power supply 120-240 VAC (included)
Size:	8" x 3" x 2.2" (20.3 x 7.6 x 5.6cm)
Weight:	1.5 lbs (680 g)

