

Fostex

8588154001
(610872)

Owner's Manual

Active Speakers

PM0.4c



Thank you very much for purchasing a Fostex product.
This manual provides instructions for basic use of the unit.
Read this before using the unit for the first time.

■ WARNINGS and PRECAUTIONS

- **CAUTION:** TO PREVENT ELECTRIC SHOCK, MATCH WIDE BLADE OF PLUG TO WIDE SLOT, FULLY INSERT.
- **WARNING:** To reduce the risk of fire or electric shock, do not expose this apparatus to rain or moisture.
- **CAUTION:** Use of any controls or adjustments or performance of procedures other than those herein specified may result in hazardous radiation exposure.
- **WARNING:** Changes or modifications to this unit not expressly approved by the party responsible for compliance could void the user's authority to operate the equipment.
- **WARNING:** Do not place the unit on top of any soft, porous, or sensitive surfaces to avoid damaging the surface. Use a protective barrier between the unit and surface to protect the surface.
- **WARNING:** Use of this unit near fluorescent lighting may cause interference regarding use of the remote. If the unit is displaying erratic behavior move away from any fluorescent lighting, as it may be the cause.
- **CAUTION:** Danger of explosion if battery is incorrectly replaced. Replace only with the same or equivalent type.
- **WARNING:** Do not install this equipment in a confined space such as a book case or similar unit.

- **WARNING:** Mains plug is used as disconnect device and it should remain readily operable during intended use. In order to disconnect the apparatus from the mains completely, the mains plug should be disconnected from the mains socket outlet completely.
- Do not mix old and new batteries. Do not mix alkaline, standard (carbonzinc), or rechargeable (ni-cad, ni-mh, etc) batteries.



WARNING: TO REDUCE THE RISK OF ELECTRIC SHOCK, DO NOT REMOVE COVER (OR BACK). NO USER-SERVICEABLE PARTS INSIDE. REFER SERVICING TO QUALIFIED SERVICE PERSONNEL.



The lightning flash with arrowhead symbol, within an equilateral triangle, is intended to alert the user to the presence of uninsulated "dangerous voltage" within the product's enclosure that may be of sufficient magnitude to constitute a risk of electric shock to persons.

■ IMPORTANT SAFETY INSTRUCTIONS

- 1) Read these instructions.
- 2) Keep these instructions.
- 3) Heed all warnings.
- 4) Follow all instructions.
- 5) Do not use this apparatus near water.
- 6) Clean only with dry cloth.
- 7) Do not block any ventilation openings. Install in accordance with the manufacturer's instructions.
- 8) Do not install near any heat sources such as radiators, heat registers, stoves, or other apparatus (including amplifiers) that produce heat.
- 9) Do not defeat the safety purpose of the polarized or grounding-type plug. A polarized plug has two blades with one wider than the other. A grounding type plug has two blades and a third grounding prong. The wide blade or the third prong are provided for your safety. If the provided plug does not fit into your outlet, consult an electrician for replacement of the obsolete outlet.
- 10) Protect the power cord from being walked on or pinched particularly at plugs, convenience receptacles, and the point where they exit from the apparatus.
- 11) Only use the power cable/AC adapter/attachments/accessories specified by the manufacturer.

- 12) Use only with the cart, stand, tripod, bracket, or table specified by the manufacturer, or sold with the apparatus. When a cart is used, use caution when moving the cart/apparatus combination to avoid injury from tipover.
- 13) Unplug this apparatus during lightning storms or when unused for long periods of time.
- 14) Refer all servicing to qualified service personnel. Servicing is required when the apparatus has been damaged in any way, such as power supply cord or plug is damaged, liquid has been spilled or objects have fallen into the apparatus, the apparatus has been exposed to rain or moisture, does not operate normally, or has been dropped.
- 15) The apparatus shall be used in an open area.
- 16) Apparatus shall not be exposed to dripping or splashing and that no objects filled with liquids, such as vases, shall be placed on apparatus.
- 17) Mains plug is used as disconnect device. It shall remain readily operable and should not be obstructed during intended use. To completely disconnect the apparatus from supply mains, the main plug of the apparatus shall be disconnected from the mains socket outlet completely.



■ FCC (U.S.A.) & ICES-003 (Canada) INFORMATION

1. IMPORTANT NOTICE
This product, when installed as indicated in the instructions contained in this manual, meets FCC and ICES-003 requirements. Changes or modifications not expressly approved by Foxtek Company for compliance could void the user's authority to operate the equipment. DO NOT MODIFY THIS PRODUCT.
2. IMPORTANT
In order to comply with FCC and ICES-003 requirements, use high quality shielded cables for connection to accessories and / or another products. If any cables are supplied with this product, they MUST be used. Follow all installation instructions. Failure to do so could void your FCC / ICES-003 authorization to use this product in the USA / Canada.
3. NOTE
This equipment has been tested and found to comply with the limits for a Class B digital device, pursuant to Part 15 of the FCC Rules. These limits are designed to provide reasonable protection against harmful interference in a residential installation. This equipment generates, uses and can radiate radio frequency energy and, if not installed and used in accordance with instructions, may cause harmful interference to radio communications. However, there is no guarantee that interference will not occur in a particular installation. If this equipment does cause harmful interference to radio or television reception, which can be determined by turning the equipment off and on, the user is encouraged to correct the interference by one or more of

the following measures:

- Reorient or relocate the receiving antenna.
 - Increase the separation between the equipment and receiver.
 - Connect the equipment into an outlet on a circuit different from that which the receiver is connected.
 - Consult the dealer or an experienced radio/TV technician for help.
4. Compliance with Part 15 of FCC Rules and Canadian ICES-003.
This device complies with Part 15 of the FCC Rules. Operation is subject to the following two conditions: (1) This device may not cause harmful interference, and (2) this device must accept any interference received, including interference that may cause undesired operation.

This Class B digital apparatus complies with Canadian ICES-003. Cet appareil numérique de la classe B est conforme à la norme NMB-003 du Canada.

Introductions

PM0.4c are active speakers with high efficiency, high-quality sound.

You can enjoy music with PM0.4c in various situations such as DTM, DJ, listening to PC audio, watching TV and listening to portable audio players.

■ Features of the PM0.4c

- 2 way configuration of woofer (low range) and tweeter (high range).
- Uses a rolled rubber edge for 100 mm-diameter glass fiber woofer diaphragm, which realizes clear and powerful sound.
- 19 mm-diameter dome tweeter generates rich, natural sound at high frequencies.
- Compact, rear bass reflector type wooden enclosure realizes natural, deep bass sound.

■ Accessories

The following are supplied with the PM0.4c.

After purchasing the unit, check all accessories are included in the package.

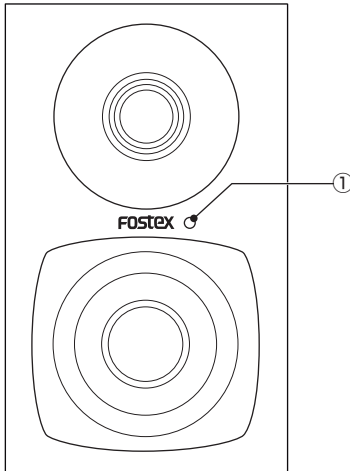
- Power cord (2.0 m) × 1
- Speaker cable (red/black, 1.5 m) × 1
- RCA-Φ6 mm TS phone cable (red/black, 1.5 m) × 1
- Owner's manual (this book) × 1
- Safety information × 1

Parts names and functions

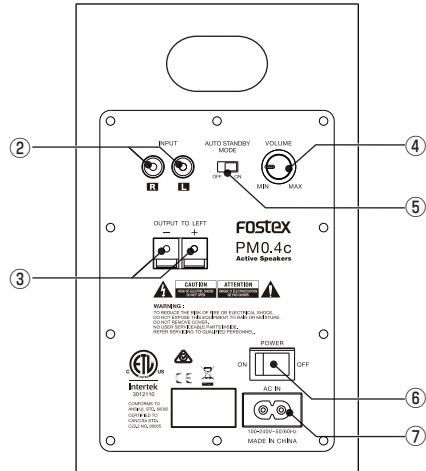
Active speaker (R channel)

Equipped with stereo power amplifier, plays back right channel of input signal.

Front



Back



① **Power indicator**

Indicates power state.
Blue: normal state
Red: standby state
Unlit: power is off

② **[INPUT] (L, R) terminal**

Connects to the output of external device.

③ **[OUTPUT TO LEFT] terminal**

Connects to the [LEFT] terminal of the passive speaker using the supplied speaker cable. Connect (+) and (+), and (-) and (-) of the active speaker and passive speaker. Left channel of signal input from [INPUT] (L, R) terminal is sent to the passive speaker via the internal amplifier.

④ **[VOLUME] knob**

Adjusts the volume.

⑤ **[AUTO STANDBY MODE] switch**

Switches the auto standby function ON/OFF. Switch "ON" to enable the function, and switch "OFF" to disable the function.

Auto standby function

When the auto standby function is ON, the unit automatically goes into standby state and the power indicator lights in red if input to the unit stays below a certain level for approximately 15 minutes. In standby state, the power consumption is reduced to below 0.5 W. The unit will revert to its normal state and the power indicator lights in blue when an input signal is received again.

⑥ **[POWER] switch**

Turns ON/OFF the unit.

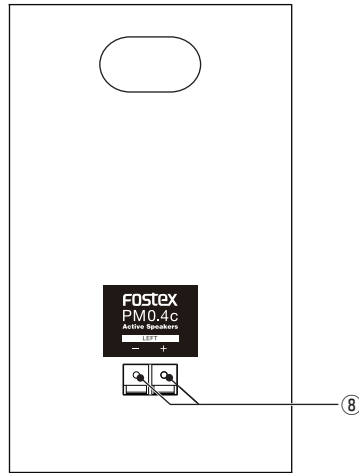
⑦ **[AC IN] terminal**

Connects to an outlet using the supplied power cord.

Passive speaker (L channel)

As the unit is not equipped with an amplifier, play back the left channel of the input signal by connecting to the active speaker using the supplied speaker cable.

Back



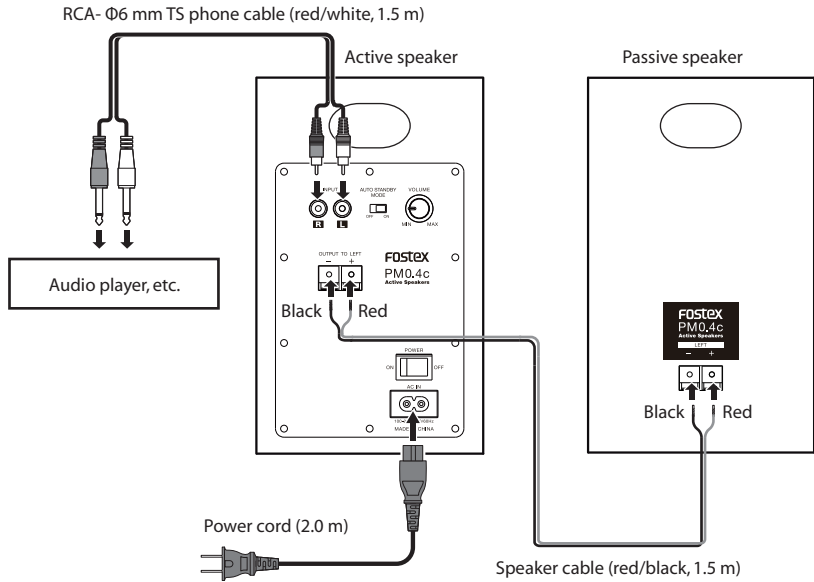
⑧ [LEFT] terminal

Connects to the [OUTPUT TO LEFT] terminal of the active speaker using the supplied speaker cable.

Connection

Caution

- Turn off the power of all devices before connecting.
- Do not use a power cord other than the supplied power cord.



Caution

Do not connect a product other than the passive speaker of PM0.4c to the [OUTPUT TO LEFT] terminal of the active speaker. Doing so may cause a malfunction.

Specifications

Speakers

Enclosure	2way bass reflex
Low range driver	100 mm (4 inch) cone speaker
High range driver	19 mm (3/4 inch) soft dome tweeter
Frequency characteristic	60 Hz to 20 kHz
Crossover frequency	1.6 kHz

Amplifier (active speaker only)

Input terminal	RCA pin jack, 320 mV (input sensitivity)
Input impedance	10 k Ω or more
Rated output	30 W + 30 W
Distortion factor (THD)	Less than 0.05% (2 W output)

General

Power (AC IN)	100 to 240 V \sim 50/60 Hz
Power consumption	15 W (normal state), 0.5 W or less (standby state)
External dimension (mm)	130 (width) \times 220 (height) \times 169 (depth) (not including protrusions)
Weight	2.4 kg (active speaker), 2.1 kg (passive speaker)

Declaration of EC Directive

This equipment is compatible with the EMC Directive (2004/108/EC) - Directive on approximation of member nation's ordinance concerning the electromagnetic compatibility and with the Low Voltage Directive (2006/95/EC) - Directive on approximation of member nation's ordinance concerning electric equipment designed to be used within the specified voltage range. This equipment is also compatible with the Ecodesign Directive (2009/125/EC) - Directive on approximation of member nation's ordinance concerning the eco-design requirement for energy-using products and with EU RoHS 2 Directive (2011/65/EU) - Directive on approximation of member nation's ordinance concerning the restriction of the use of certain hazardous substances in electric equipment.

The Effect of Immunity on This Equipment

The effect of the European Specification EN61000-6-1 (coexistence of electromagnetic waves - common immunity specification) on this equipment are as shown below.

In the electrical fast transient/burst requirements, surge, conducted disturbances by radio-frequency fields, power frequency magnetic field, radiate electromagnetic field requirements and static electricity discharging environment, this could be affected by generation of noise in some cases.

FOSTEX DISTRIBUTORS LIST IN EUROPE

* Including non-EU countries (as of Jan. 2016)

Albania, Bosnia and Herzegovina, Croatia, Kosovo, Macedonia, Montenegro, Serbia & Slovenia

NAME: Player Plus d.o.o.
ADD: St. Sestara Strain 17/13, 11080 Belgrade, Serbia
TEL: (+381) 11 377 4968, FAX: (+381) 11 377 4969
Email: info@players.rs
Web Site: <http://www.players.rs>

Austria, Germany & Hungary

NAME: Mega Audio GmbH
ADD: Feldborn 3, in 55444 Waldlaubersheim, Germany
TEL: (+49) 6721-94330, FAX: (+49) 6721-32046
Email: info@megaaudio.de
Web Site: <http://www.megaaudio.de>

Belgium

NAME: XLR sprl/bvba
ADD: Pierre Strauvenstraat 24, 1020 Brussels, Belgium
TEL: (+32) 2 520 8827, FAX: (+32) 2 521 1977
Email: info@xlrspo.be
Web Site: <http://www.xlrspo.be>

Czechia

NAME: Praha Music Center spol s.r.o.
ADD: Ocelarska 937/39, Praha 9, 190 00, Czechia
TEL: (+420) 226-011-111
FAX: (+420) 226-011-112
Email: info@pmcc.cz
Web Site: <http://www.pmcc.cz>

Denmark

NAME: SC Sound A/S
ADD: Dalgas Alle 15, DK-6600 Vejen, Denmark
TEL: (+45) 4399 8877, FAX: (+45) 4399 8077
Email: mail@scs-sound.dk
Web Site: <http://www.scs-sound.dk>

Estonia, Latvia & Lithuania

NAME: Mafico BV
ADD: Weg en Bos 2 2661 DH Bergschenhoek Nederland
TEL: (+31) (0)10 - 414 8426
FAX: (+31) (0)10 - 404 8863
Email: info@mafico.com
Web Site: <http://www.mafico.com>

Finland

NAME: Noreton Oy Audio
ADD: Manikkaantie 32, FIN-02180 ESPOO, Finland
TEL: (+358) 10-525-8000
FAX: (+358) 10-525-8010
Web Site: <http://www.noreton.fi>

France

NAME: Hamy Sound (Consumer and Hi-Fi Systems)
ADD: 28 Rue Edith Cavell, 92400 Courvoisier, France
TEL: (+33) 1 4788 4702, FAX: (+33) 1 4789 4872
Email: say@hamysound.com
Web Site: <http://www.hamysound.com>

France

NAME: Selectronic (Speaker Components)
ADD: Zac de L'Oree du Golf, 16 rue Jules Verne, 59790 Ronchin, France
TEL: (+33) 328 550 328, FAX: (+33) 328 550 329
Email: contact@selectronic.fr

France

NAME: Sennheiser France (Pro-Audio)
ADD: 128 bis, avenue Jean-Jaures, 94851 Ivry-sur-Seine Cedex, France
TEL: (+33) 1 4987 0300, FAX: (+33) 1 4987 0324
Web Site: <http://www.sennheiser.fr>

Greece

NAME: Bon Studio S.A
ADD: 621 Strimiti Street, Exarchia, 106 83 Athens, Greece
TEL: (+30) 210-3809-605, 606, 607, 608
FAX: (+30) 210-3845-755, 210-3827-868
Email: bon@bonstudio.gr
Web Site: <http://www.bonstudio.gr>

Italy

NAME: Art of Music sas (Consumer/Hi-Fi Systems/ Speaker Components)
ADD: Via Dal Lino 23/2, 40134 Bologna, Italy
TEL: (+39) 347 2532215
Email: artofmusic@libero.it
Web Site: <http://www.artofmusic.it>

Italy

NAME: Backline S.r.l. (Pro-Audio)
ADD: Via dell'Aprica, 16 - 20158 Milano, Italy
TEL: (+39) 02 6901 5709, FAX: (+39) 02 6901 5645
Email: info@backline.it
Web Site: <http://www.backline.it>

The Netherlands

NAME: Iemke Roos Audio B.V.
ADD: Kuiperbergweg 20, 1101 AG Amsterdam, The Netherlands
TEL: (+31) 20-697-2121, FAX: (+31) 20-697-4201
Email: sales@iemkeroots.nl
Web Site: <http://www.iemkeroots.nl>

Norway

NAME: Siv. Ing. Benum AS
ADD: Østre Aker vei 68, 0581 OSLO
TEL: (+47) 2213 9900, FAX: (+47) 2214 8259
Email: Norway@benum.com
Web Site: <http://www.benum.no>

Poland

NAME: Mega Music Spolka z o.o
ADD: Ul. Lesna 15, 81-876 Sopot, Poland
TEL: (+48) 58-551-18-82
FAX: (+48) 58-551-18-72
Email: prog@megamusical.pl
Web Site: <http://pro.megamusical.pl>

Portugal & Spain

NAME: AITCONSUMER (Consumer/Hi-Fi Systems/ Speaker Components)
ADD: PO BOX 15, 08340 Vilassar de Mar, Barcelona, Spain
TEL: (+34) 609 288310
Email: info@atconsumer.es
Web Site: <http://www.atconsumer.es>

Portugal & Spain

NAME: LETUSA S.A. (Pro-Audio)
ADD: C/Laguna No.10, Poligono Industrial Urtinsa, 28923 Alcorcon, Madrid, Spain
TEL: (+34) 91-486-2800, FAX: (+34) 91-6414597
Email: info@letusa.es
Web Site: <http://www.letusa.es>

Russia

NAME: Audio Mania LLC (Speaker Components)
ADD: 107023 Barabanny Lane 4/4, Moscow Russia
TEL: +7 495 2680468
Email: info@audiomania.ru
Web Site: <http://www.audiomania.ru>

Russia

NAME: BLADE Group of Companies (Consumer)
ADD: Elizavetinsky per, 12 Moscow 105005, Russia
TEL: +7 495 276 2076, FAX: +7 495 276 2076
Email: info@blade.ru
Web Site: <http://www.blade.ru/>

Russia

NAME: MS-MAX (Pro-Audio)
ADD: Entrance 128, Kutuzovskiy prospekt, 30/32, 121165, Moscow, Russia
TEL: (+7) 495-234-0006, FAX: (+7) 495-249-8034
Email: office@ms-max.ru
Web Site: <http://www.ms-max.ru>

Russia

NAME: Ovinta Company LLC (Hi-Fi Systems)
ADD: Building 2, Street 26A, Dmitriy Uliyanova, Moscow 117036 Russia
TEL: +7 495 787 7767

Slovakia

NAME: Rockcentrum
ADD: Ambra Pietra 40, 036 01 Martin, Slovakia
TEL: (+421) 43 41 36336, FAX: (+421) 43 41 36337
Email: rock-centrum@rock-centrum.sk
Web Site: <http://rock-centrum.sk>

Sweden

NAME: Benum Nordic AS
ADD: Vestberga Allé 26, 126 30 Hagersten, Sweden
TEL: (+46) 8 207710
Email: sweden@benum.com
Web Site: <http://www.benum.se>

Switzerland

NAME: Audio Bauer Pro AG
ADD: Bernerstrasse-Nord 182, CH-8064 Zurich, Switzerland
TEL: (+41) 44 432 3230, FAX: (+41) 44 432 6558
Email: info@audio-bauerpro.ch
Web Site: <http://www.audio-bauerpro.ch>

Turkey

NAME: Extreme Audio (Consumer/Hi-Fi Systems)
ADD: Sheraton Istanbul Maslak Kat B2 Buyukdere Cad. Nr:233 Uçyol Mevki 34398 Maslak Istanbul Turkey
TEL: +90 444 3760, FAX: +90 212 285 0073
Email: bahadi@extreme-audio.com
Web Site: <http://www.extreme-audio.com>

Turkey

NAME: Radikal Elektronik Ltd. Sti. (Pro-Audio)
ADD: Iblamur-Yıldız Cad, Kessaf Sok. 4/12 Besiktas, Istanbul 34353, Turkey
TEL: (+90) (212) 259 7971
FAX: (+90) (212) 259 7993
Email: radikal@radikaltr.com
Web Site: <http://www.radikaltr.com>

UK

NAME: Pro-Hifi (Consumer/Hi-Fi Systems)
ADD: Unit C1 Belcon Industrial Estate, Geddings Road, Hoddesdon, Hertfordshire, EN11 0NT, UK
TEL: (+44) (0)3301 22 2500
FAX: (+44) (0)1992 44 9171
Email: info@pro-hifi.co.uk
Web Site: <http://www.pro-hifi.co.uk>

UK

NAME: SCV Distribution (Pro Audio/Speaker Components)
ADD: Unit C1 Belcon Industrial Estate, Geddings Road, Hoddesdon, Hertfordshire, EN11 0NT, UK
TEL: (+44) (0)3301 22 2500
FAX: (+44) (0)1992 44 9171
Email: fostex@scvdistribution.co.uk
Web Site: <http://www.scvdistribution.co.uk>

Ukraine

NAME: A & T Trade Petroshev
ADD: 29, Obolon'skaya Str., Kiev, Ukraine 04071
TEL: (+380) 44-537-3356
FAX: (+380) 44-462-5092
Email: atrade@atrade.kiev.ua
Web Site: <http://kiev.attrade.ru>

FOSTEX

FOSTEX CO.

1-1-109, Tsutsujigaoka, Akishima City, Tokyo, 196-8550, Japan