

Modern solution for audio connectivity

# BLUETOOTH GADGET



# The astonishing new Bluetooth Audio Gadget. So much better than taping your phone to the mic.

## Bluetooth Gadget

There are plenty of ways a smartphone could be useful on air. Playing recorded audio, voice clips or music, for instance. How about using a SIP client as a codec? Or Skype or Zoom or social media sound? And of course, putting callers on the air. If only there was a professional bidirectional audio interface for cell phones...



Problem solved. The Bluetooth Audio Gadget makes it easy to put a smartphone on the air. Just pair your phone, and the Bluetooth Audio Gadget automatically negotiates the optimal codec algorithm (usually APT-X for Android, AAC for iPhone). Balanced audio I/O connects the Gadget to your console. The sound quality is amazing. And the Bluetooth Audio Gadget is bi-directional, so you can even send mix-minus to your caller.

Like all Angry Audio products, the Bluetooth Audio Gadget is built-for-broadcast with premium components, a powder-coated steel enclosure, internal AC power supply, and gold-plated audio connectors and switch contacts. Place it on your desktop, or mount it in your rack with our rackmount kit.

Order your Bluetooth Audio Gadget today. Your talent will call and thank you.



The Bluetooth Gadget is the modern way to connect phones, tablets and computers. Eliminate the messy cables and adapters and the annoying whine of digital ground loops. Equipped with AAC and the virtually-lossless APTX codec algorithms, the Bluetooth Gadget always chooses the best possible codec for the connected device. If you've been disappointed by the sound of Bluetooth in the past, the Bluetooth Gadget will change your mind in a really awesome-sounding hurry.

### Mounting Options



**Rack Mount Kit**  
Pro mount one or two gadgets in only 1RU.



**Wall Mount Kit**  
Attach your gadget to a wall or inside of a cabinet.



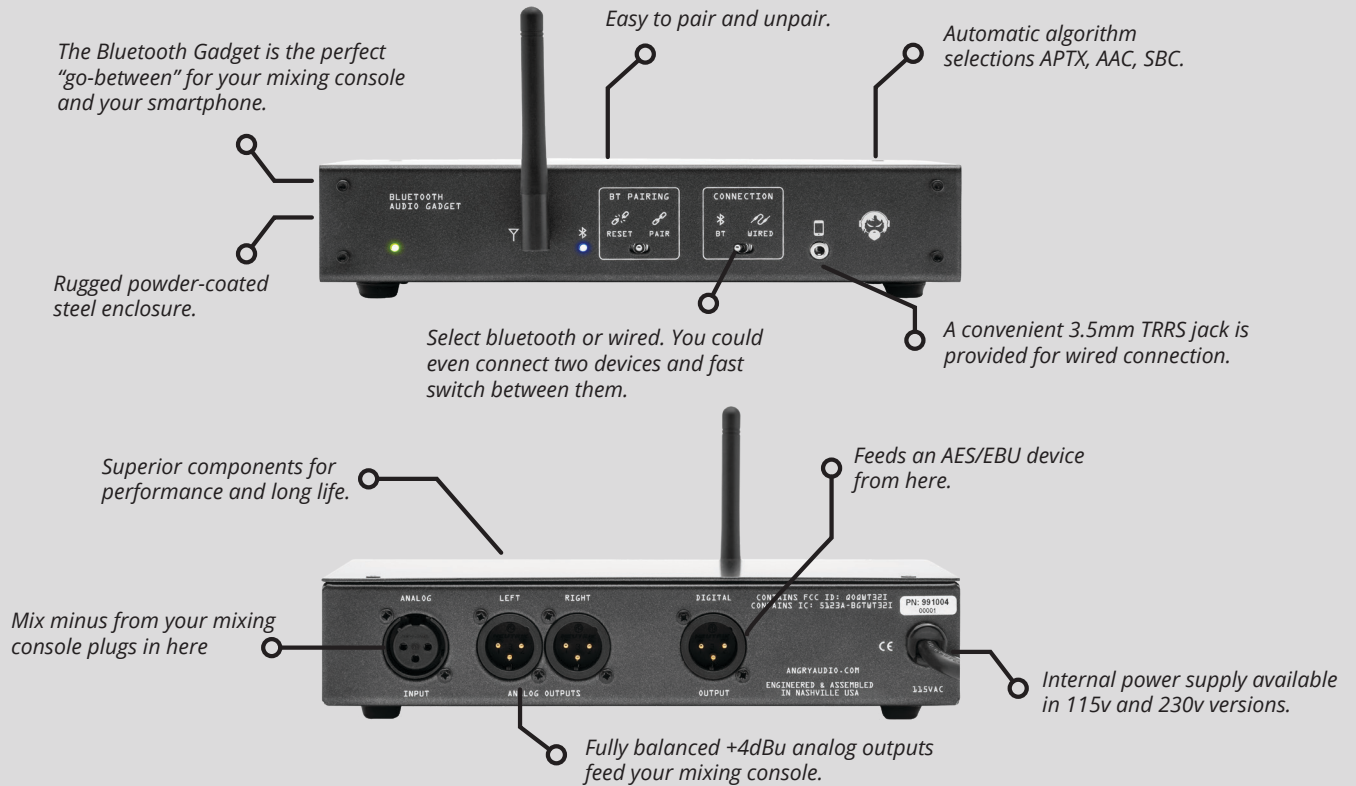
**Desktop Mount Kit**  
Brackets tilt the gadget toward the user's eyes.



**Under Cabinet Mount Kit**  
Conveniently located under the edge of your desk.

# Bluetooth Gadget

The front panel 3.5mm TRRS jack offers an alternative way to connect your phone. Our exclusive (ground-breaking) unbalanced audio input circuitry suppresses noise from ground loops, digital whine, etc. Using the front panel connection switch, you can select wired or Bluetooth connection. You can even connect two devices, one wired and one Bluetooth and switch between them as needed.



## Specifications:

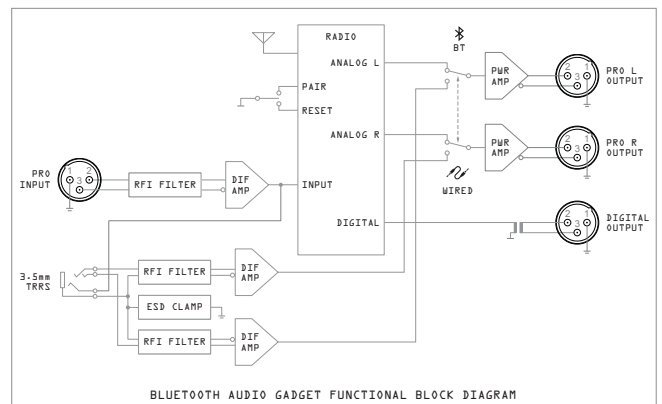
### Audio and Bluetooth

From console input  
To console outputs  
From phone (wired)  
To phone (wired)  
To console (digital)  
Transceiver  
Profiles  
Codecs  
Range

Balanced, +4dBu, XLR F, Mono  
Balanced, +4dBu, XLR M, Stereo  
Unbalanced, -10dBv, TRRS, Stereo  
Unbalanced, -50dBv, TRRS, Mono  
Transformer isolated XLR M  
Bluetooth 3.0  
HFP, HSP  
AAC, APTX, SBC  
50 feet

### Power and Environmental

North American Version 115VAC 60Hz, NEMA 5-15P power plug  
Export Versions 230VAC 50/60Hz, various plugs available  
Power Consumption 3VA  
Operating Temperature 0° to 40° C (32° to 104° F)  
Storage Temperature -20° to 45° C (-4° to 113° F)  
Relative Humidity 0% to 90% non-condensing  
Cooling Venting Chassis (fanless)  
Shipping Box 12in x 9in x 6in, 5 pounds



**Part number:** 991004 115VAC USA Power Plug  
991004E 230VAC Europe Power Plug  
991004A 230VAC Australia Power Plug  
991004U 230VAC UK Power Plug

### Box includes:

Bluetooth Gadget  
Antenna  
StudioHub Dual XLR F to RJ45F Adapter  
StudioHub Single XLR M to RJ45F Adapter  
3.5mm TRRS OMTP to CTIA Adapter



### Balancing Gadgets

All three Balancing Gadgets feature an internal low-noise linear power supply, direct coupled transformerless analog circuitry and our exclusive input design that suppresses common mode noise. The result is the most sonically-transparent devices available. Never any buzz, hum, hiss or RFI.



### Bluetooth Gadget

Bidirectional smartphone to PRO audio interface. Use your Bluetooth-equipped device for audio playback, phone calls, skype, etc. AAC and APTX audio codecs provide premium audio quality.



### Talkshow Gadget

Adds broadcast features to audio mixers. Monitor speaker muting and volume control, pushbutton microphone control, on-air warning logic. All passive signal chain features sealed gold-contact relays.



### Fail-safe Gadget

Stereo silence sensor and backup audio switcher. Adjustable threshold and delay. Alarm logic port. Can also be used to switch when audio is active.



### Distribution Gadget

2x4 stereo or 2x8 monaural analog audio distribution amplifier. Choose from IHF or PRO audio input. Each output pair can be stereo or mono sum.



### Guest Gizmo

Stereo headphone amplifier, Cough (mute) button, tally lamp driver. Installs in desktop. High power headphone amplifier can drive high or low impedance headphones.



### Mic Tally Gizmo

Driver for MIKA mic arms equipped with LED tally. Installs in desktop. Dual logic inputs to illuminate tally either red or white.



### Headphone Gizmo

Premium stereo headphone amplifier with StudioHub RJ45 connectors for input and daisy-chain output. Innovative circuitry can drive high impedance or low impedance headphones with power to spare.

# ANGRY AUDIO LLC

128 Holiday Court, Suite 118  
Franklin TN 37067 USA

+1 (615) 763-3033  
www.AngryAudio.com  
answers@angryaudio.com